

Technical Description & Technical Information Sheet

FX-J “Jacquard” System

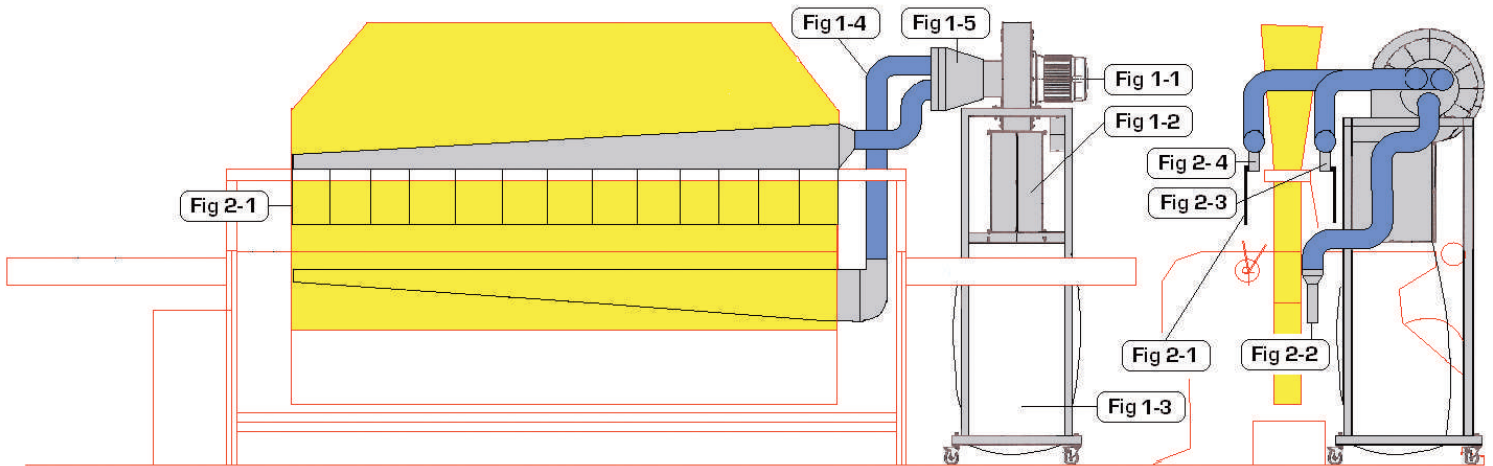


Fig 1-1.

- For weaving machines from 165cm to 220cm a 2.2 KW fan unit is used.
- For weaving machines from 230cm to 360cm a 4.0 KW fan unit is used.

Fig 1-2.

The fan unit is mounted in a high position with a Silencer unit.

Fig 1-3.

The Filter/Collection bag fixes directly below the silencer unit. This allows immediate evacuation of dust & fibres and eliminates the possibilities of blockages in a ducted system. Alternatively the dust & fibres can be evacuated through the return air channel of the air conditioning system.

Fig 1-4.

The Fan unit is connected to the Jacquard unit via flexible hose.

Fig 1-5.

Distribution outlet box with 3 outlets.

Three suction boxes are supplied and the distribution of suction power to each suction box can vary depending on the amount of dust & fibre contamination.

Fig 2-2.

Suction box fitted under warp sheet behind harness springs, the position of this box helps to reduce contamination of the harness springs.

Fig 2-3.

Suction box fitted behind harness mounted on harness comber board frame, reducing contamination of the upper harness cords.

Fig 2-4.

Suction box fitted in front of harness & over reed mounted on harness comber board frame, both suction boxes “2-3” & “2-4” are positioned to help reduce contamination of the harness cords and help reduce waste fibres being woven into the fabric construction.

Fig 2-1.

Clear plastic flexible flaps can optionally be fitted to the upper suction boxes in order to encapsulate the full width of the Harness & Reed.

Technical Questionnaire

(If you request an offer, please fill out the questionnaire and send to us)

Weaving Machine Maker/Type	/	
Weaving Machine	Air Jet <input type="checkbox"/>	Rapier <input type="checkbox"/>
Weaving Machine Width		
Fabric Width		
Jacquard Machine Maker/Type	/	
Plastic Flaps required (Fig 2-1)	Yes <input type="checkbox"/>	No <input type="checkbox"/>
Customer		
Contact		
Telephone		
E-Mail		

Date _____